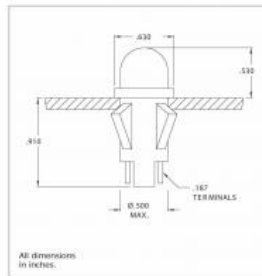


Products

Neon & Incandescent Indicators

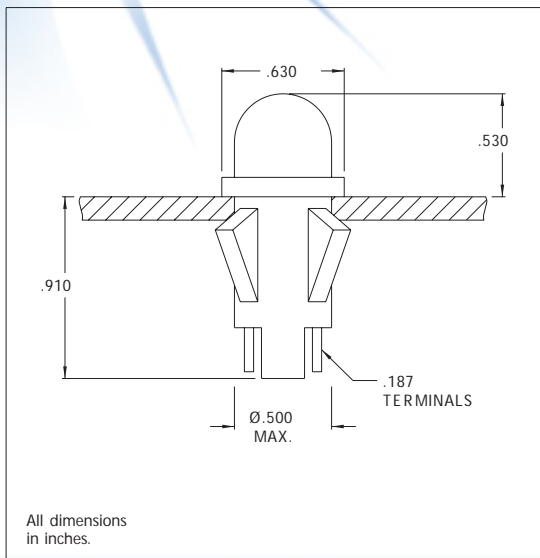
CML IT offers panel mount indicators manufactured with LED, Neon or Incandescent light sources. These indicators are available in a number of different lens and termination styles, with voltages of 2V ~ 250V available off-the-shelf.



Part Number: 1090QA4-28V
Serial Number: 1090
Light Source: Incandescent
Color: White
Voltage (V): 28V
Mounting Hole (inch): 0.50
Mounting Hole (metric): 12,7
Termination: .187" QC
Bezel color: Stainless Steel
Housing color: White
UL file: E20325
CSA file: LR13346
RoHS Status: Yes

1090QA Series Non-Relampable Incandescent Indicator Lights

DESCRIPTION AND FEATURES



Mounting: Will snap-fit into Ø.500/.505 hole in panels .020/.100 thick. Push-on speednut SN0461 also available.
 Mounting hole pattern on page SP2.

Terminals: Quick-connect, tinned brass

Lens: Polycarbonate

Bezel: Polished stainless steel.
 For black finish add "X" after the series letter(s).

Housing: White Nylon

Lens Color	Incandescent	
	Model No. (12V)	Model No. (28V)
Red	1090QA1-12V	1090QA1-28V
Amber	1090QA3-12V	1090QA3-28V
White	1090QA4-12V	1090QA4-28V
Green	1090QA5-12V	1090QA5-28V
Blue	1090QA6-12V	1090QA6-28V
Lamp used	#2162	#2187

Underwriters Laboratories (UL) File No. E20325
 Canadian Standards Association (CSA) File No. LR13346